



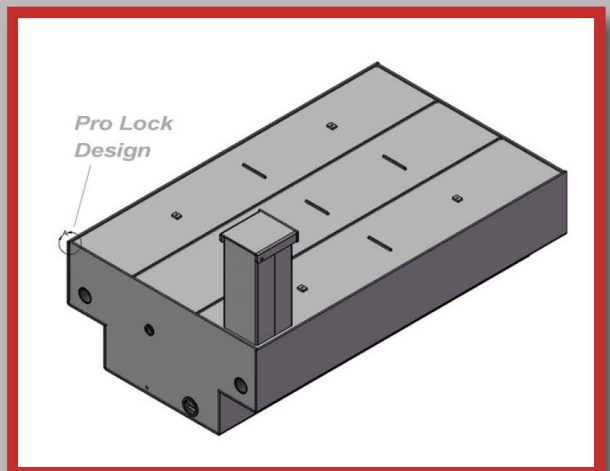
PRO LOCK PATENTED INNOVATIVE PRO LOCK DESIGN TESTED & PROVEN

The Pro Poly Pro Lock design of interlocking baffles and interior support structures inside Pro Poly tanks and PolyBilt truck bodies provide a stronger, more rigorous and demanding conditions and provide long lasting trouble free service.

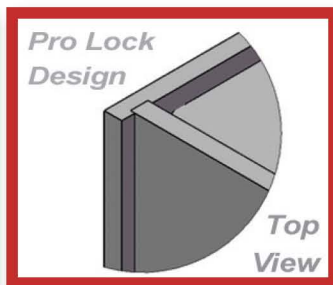
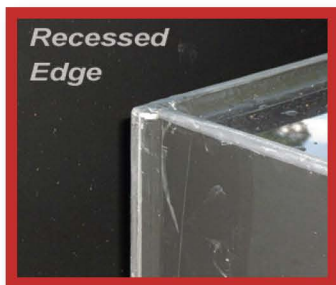
This Pro Lock system has even surpassed the demanding testing conditions of Japan's fire protection code and standard that requires tanks to withstand 3 psi of pressure.

You get the Enhanced Strength Standard in every Pro Poly of America tank - all at competitive pricing.

Leaders in Polymer Body Construction



Manufacturing and service centers in 4 states, UK and soon Australia



**Polyprene Tanks and Bodies
Built Bull Tough For Life**

Administrative Offices: 1-800-323-0244
Manufacturing/Engineering: 1-800-864-3817

www.propolyamerica.com
www.polybilt.com